




Technical Information
S1244/S1444/S1643

HMF Z001330

| | | | | |
|--|----------------|------------|---|------|
|  | 1244/1444/1643 | 3 | 1 | 8100 |
| | Contents | 1 (1) | | |
| | | 17.08.2012 | | |

The 1244/1444/1643 Series

| | Rev. | No. |
|---|------------|---------|
| Technical Data | 17.08.2012 | 31 8110 |
| Lifting capacity diagram, 1244-Z1 | 02.05.2006 | 31 8120 |
| Lifting capacity diagram 1244-Z2 | 02.05.2006 | 31 8121 |
| Lifting capacity diagram 1444-Z2 | 02.05.2006 | 31 8123 |
| Lifting capacity diagram 1643-Z2 | 02.05.2006 | 31 8125 |
| Dimension sketch, 1244-Z | 02.05.2006 | 31 8140 |
| Dimension sketch, 1444/1643-Z2 | 02.05.2006 | 31 8141 |
| Dimension sketch, 1244/1444/1643-ZC (2 x HS) | 02.05.2006 | 31 8142 |
| Dimension sketch, 1244/1444/1643-ZC (2 x HS) C=12 | 11.04.2008 | 31 8143 |
| Dimension sketch, 1244/1444/1643-ZC (2 x HS) C=6 | 11.04.2008 | 31 8144 |
| Dimension sketch, 1244/1444/1643-Z slewing radius, TS | 08.03.2007 | 31 8145 |
| Position of top seat (TS) | 06.03.2008 | 31 8146 |
| Dimension sketch, stabilizers, A=2375/3500/4600 | 17.08.2012 | 31 8150 |
| Dimension sketch, hydraulic swing-up stabilizer legs | 01.12.2006 | 31 8152 |
| Extended hook suspension, Z2 | 02.05.2006 | 31 8160 |
| Centres of gravity | 02.05.2006 | 31 8175 |



1244/1444/1643

3 1 8110

Technical Data

1 (1)

17.08.2012

| Performance | Unit | 1244-Z1 | 1244-Z2 | 1444-Z2 | 1643-Z2 |
|-------------------------------|-------|---------------------------|--|--|--|
| Loading group | | B4 | B4 | B4 | B3 |
| Load moment | tm | 10,7 | 10,3 | 13,7 | 15,4 |
| Hydraulic reach | m | 6,72 | 8,3 | 8,2 | 8,2 |
| Hydraulic telescopic movement | mm | 1580 | 3210 | 3210 | 3210 |
| Lifting capacities | kg-m | 2130 - 5,05 1630 - 6,5 | 2070 - 4,9 1525 - 6,5 1220 - 8,1 | 2840 - 4,8 2110 - 6,3 1620 - 8,0 | 3200 - 4,8 2380 - 6,3 1820 - 8,0 |
| Slewing torque | kgm | 2400 | 2400 | 2400 | 2400 |
| Slewing angle | ° | 400 | 400 | 400 | 400 |
| Max. heel at max. load moment | ° | 7 | 7 | 7 | 7 |
| Slewing speed | °/s | 30 | 30 | 30 | 30 |
| Lifting speed, max. reach | m/s | 1,4 | 1,7 | 1,5 | 1,0 |
| Working pressure | Bar | 280 | 280 | 280 | 310 |
| Max. pump performance | l/min | 1x60 / 2x50 | 1x60 / 2x50 | 1x70 / 2x60 | 1x50 / 2x40 |
| Power consumption | KW | 28 / 47 | 28 / 47 | 33 / 56 | 26 / 42 |

Dimensions

| | | | | | |
|---|----|------|------|------|------|
| Height above chassis, parked in body (min.) | mm | 2200 | 2200 | 2200 | 2200 |
| Height above chassis, folded (no grab) | mm | 2258 | 2290 | 2427 | 2427 |
| Width, folded | mm | 2500 | 2500 | 2500 | 2500 |
| Length (incl. HS and extra valves) | mm | 750 | 750 | 750 | 750 |
| Stabilizer spread, fixed | mm | 2375 | 2375 | 2375 | 2375 |
| Stabilizer spread, standard | mm | 3500 | 3500 | 3500 | 3500 |
| Stabilizer spread, double ext. | mm | 4600 | 4600 | 4600 | 4600 |

Weights

| | | | | | |
|--|----|------|------|------|------|
| Standard loader, incl. 1 x HS | kg | 1530 | 1640 | 1740 | 1740 |
| Stabilizer spread, fixed | kg | 150 | 150 | 150 | 150 |
| Weight of stabilizers, standard | kg | 210 | 210 | 210 | 210 |
| Weight of stabilizers, std., hydr. ext. | kg | 230 | 230 | 230 | 230 |
| Weight of stabilizers, double., hydr. ext. | kg | 295 | 295 | 295 | 295 |
| Mounting kit | kg | 55 | 55 | 55 | 55 |
| Supplement 2 x HS | kg | 65 | 65 | 65 | 65 |
| Supplement 1x high pressure filter | kg | 7 | 7 | 7 | 7 |
| Oil in loader (stowing position) | kg | 19,6 | 21,9 | 24,2 | 24,2 |



1244/1444/1643

3

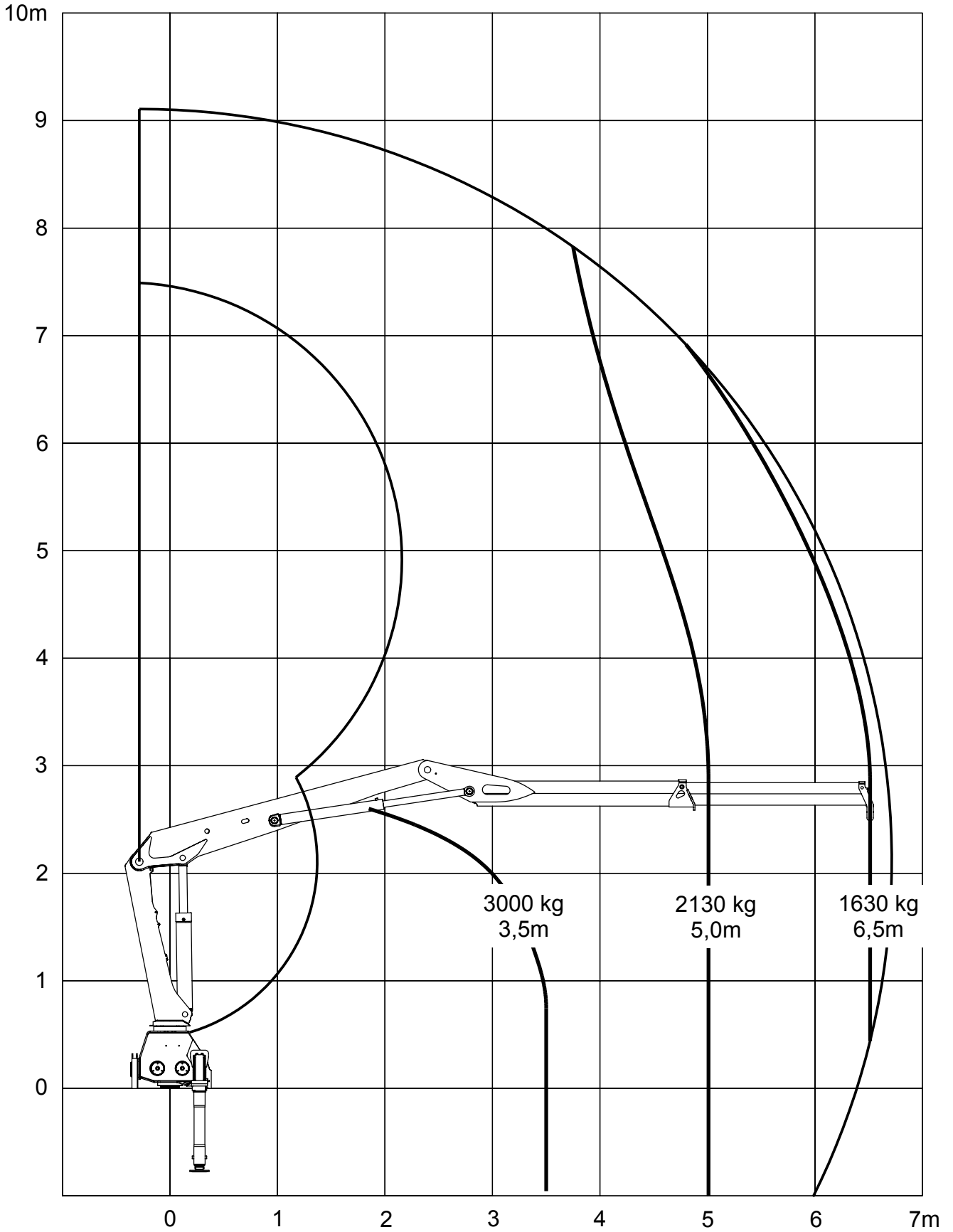
1

8120

1244 Z1

1 (1)

02.05.2006





1244/1444/1643

3

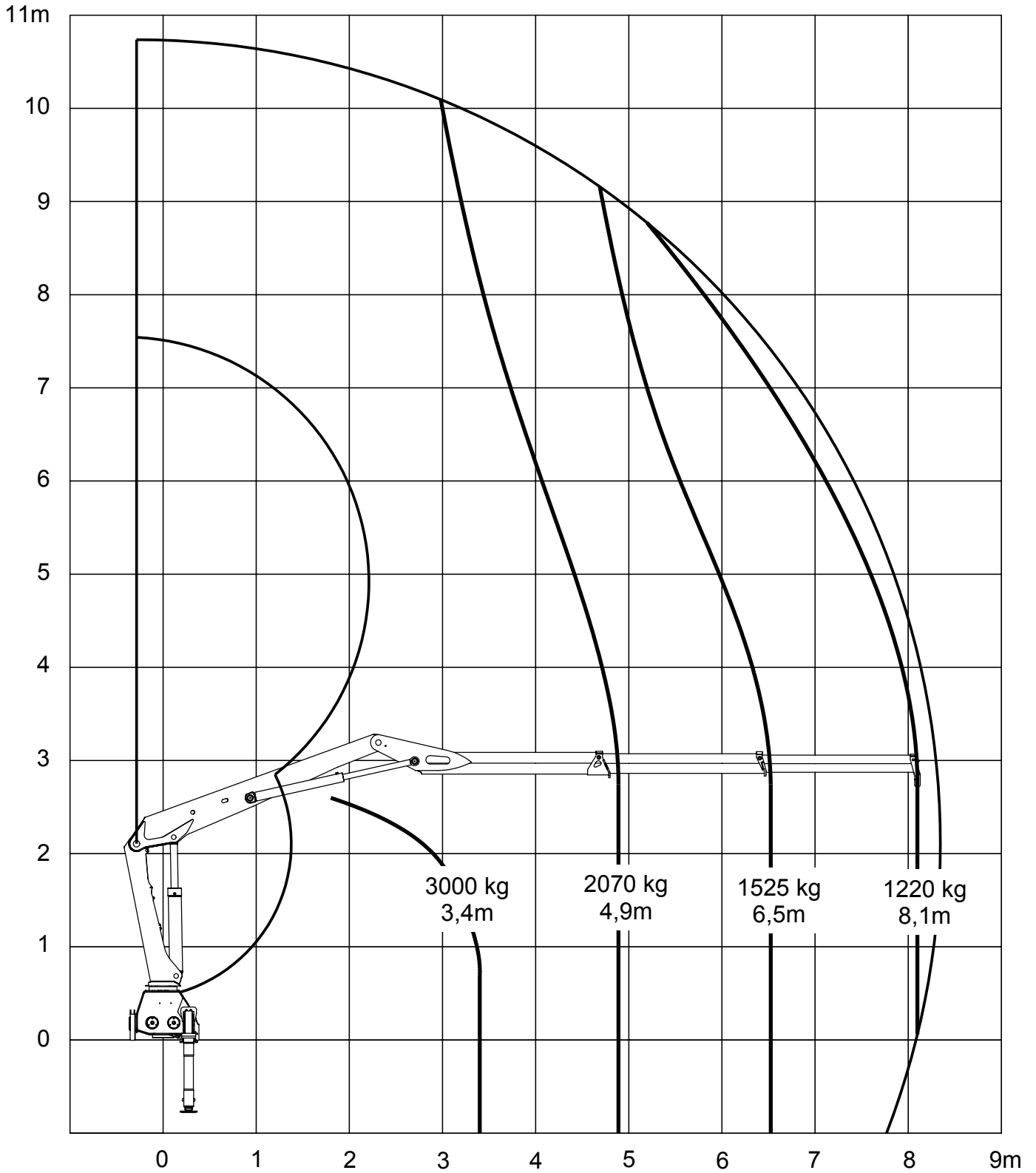
1

8121

1244 Z2

1 (1)

02.05.2006





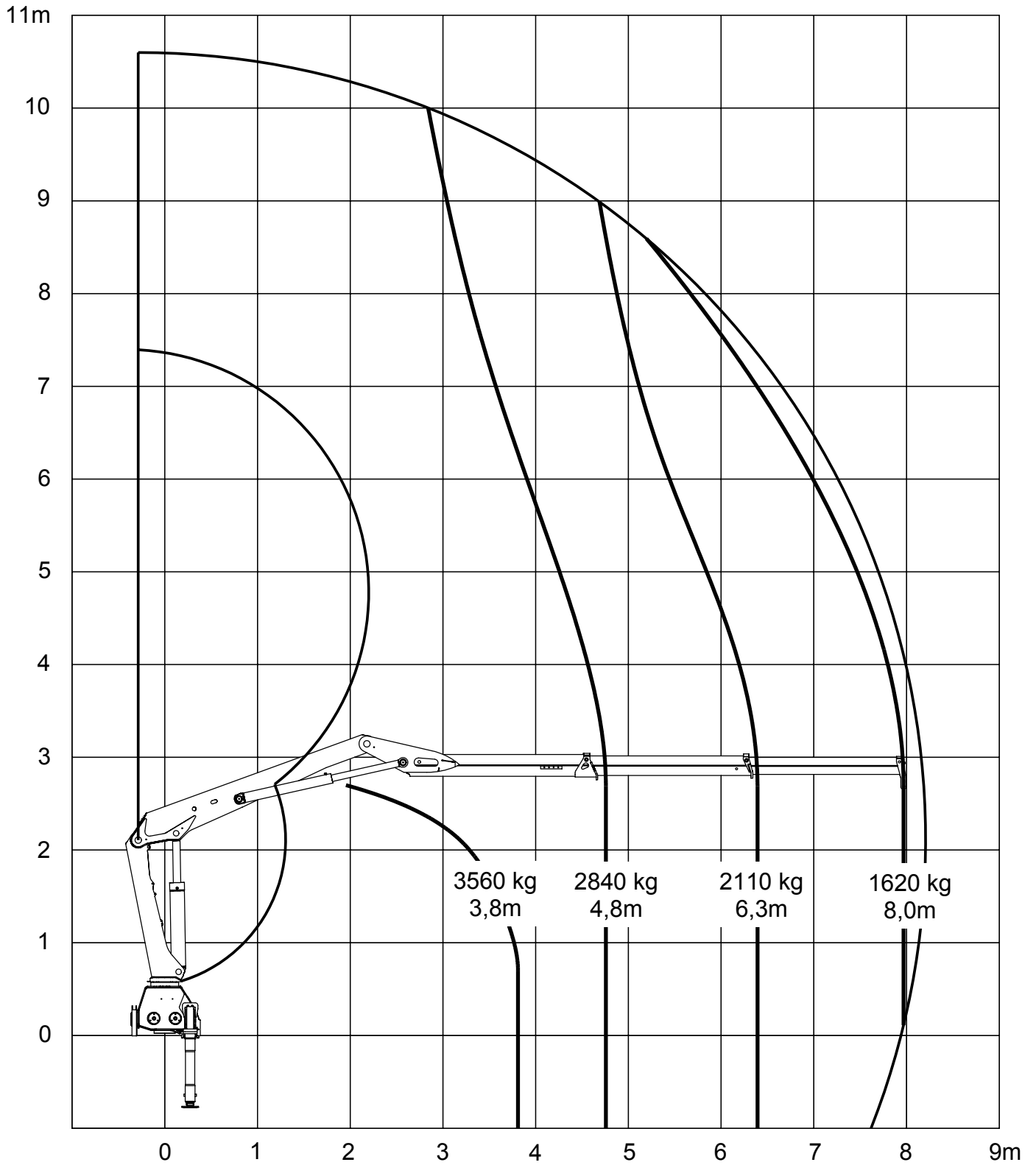
1244/1444/1643

3 1 8123

1444 Z2

1 (1)

02.05.2006





1244/1444/1643

3

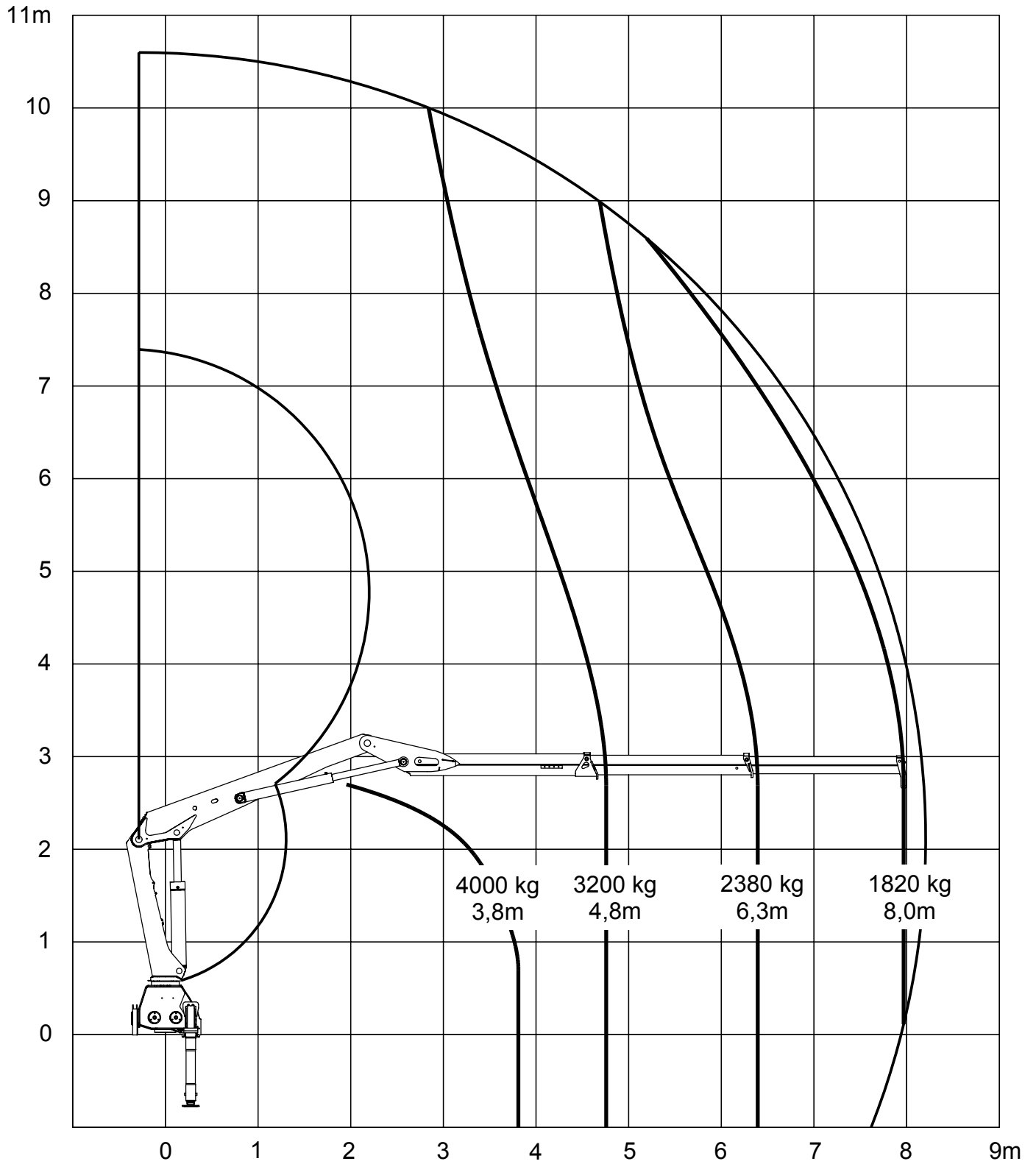
1

8125

1643 Z2

1 (1)

02.05.2006





1244/1444/1643

3

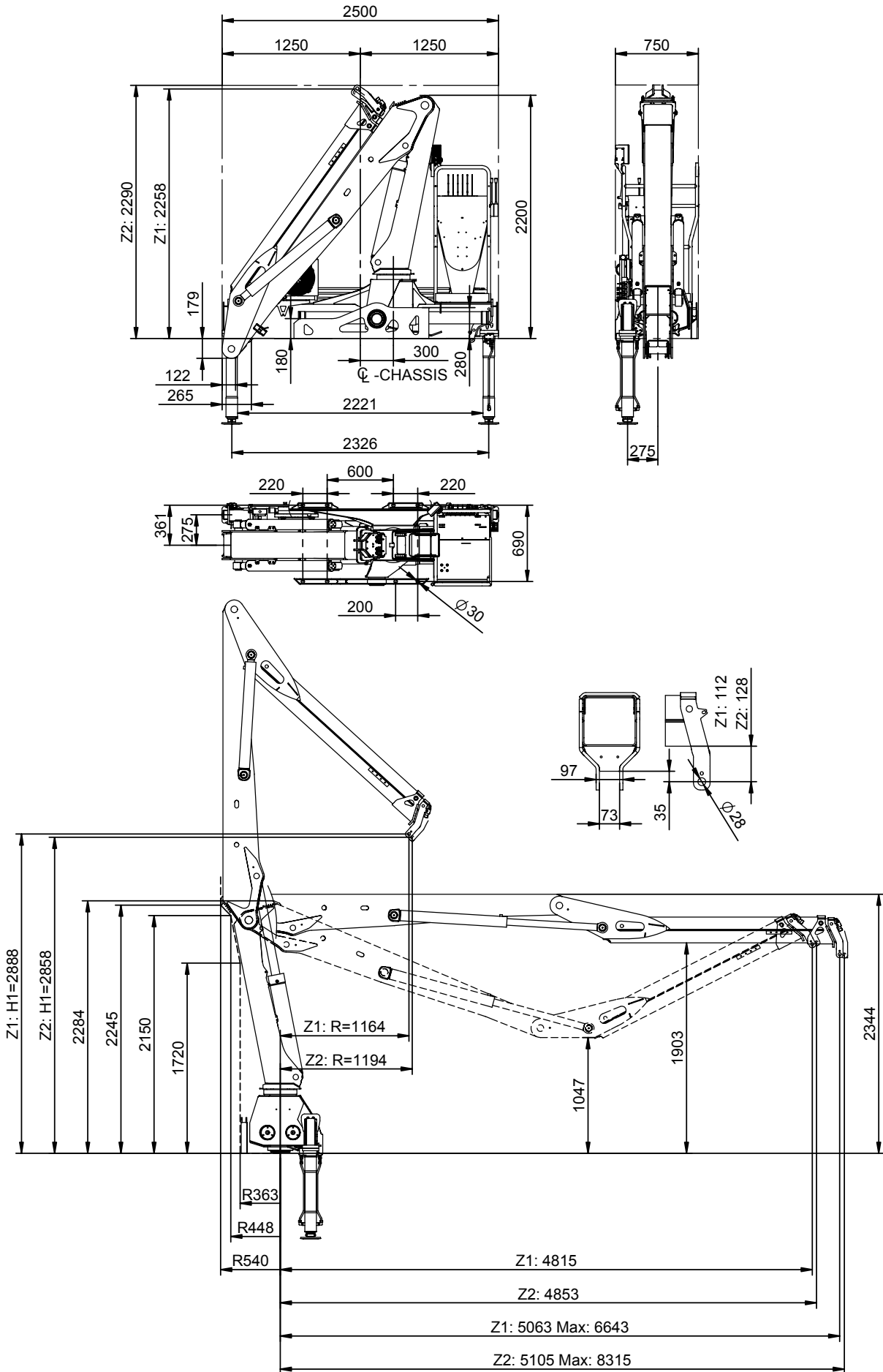
1

8140

1244 Z

1 (1)

02.05.2006





1244/1444/1643

3

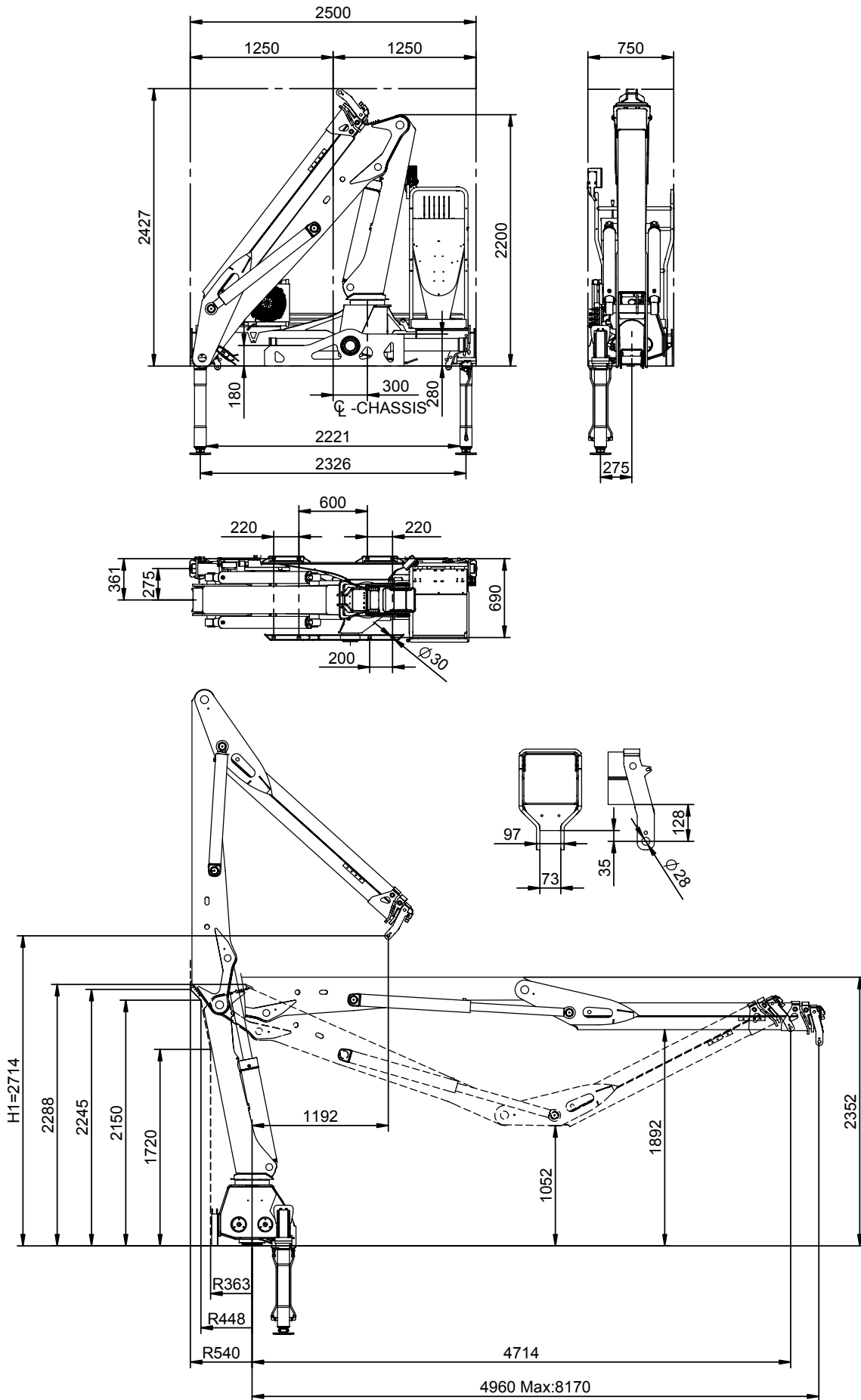
1

8141

1444/1643 Z2

1 (1)

02.05.2006





1244/1444/1643

3

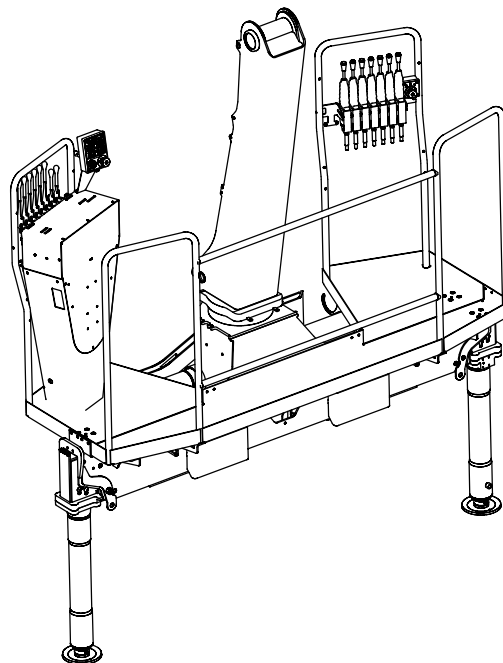
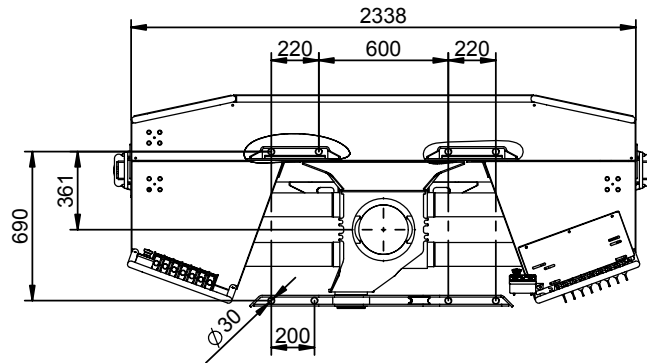
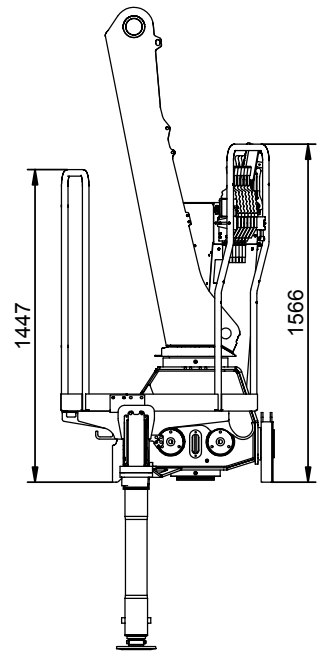
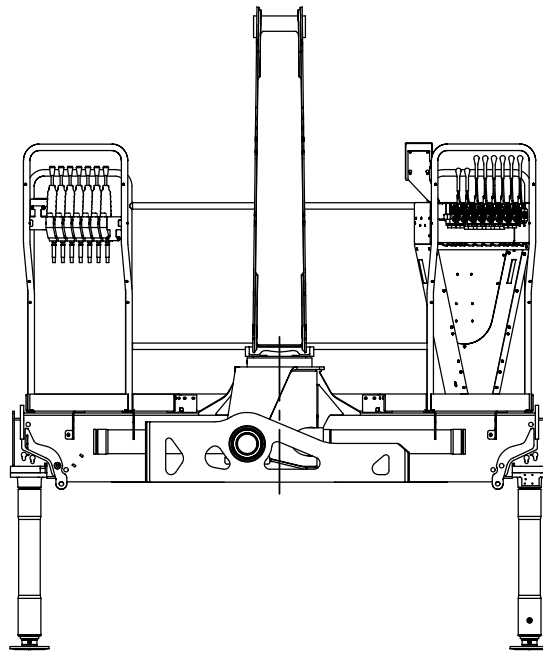
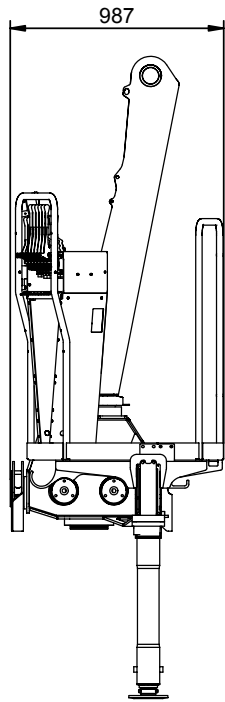
1

8142

1244/1444/1643 ZC

1 (1)

02.05.2006





1244/1444/1643

3

1

8143

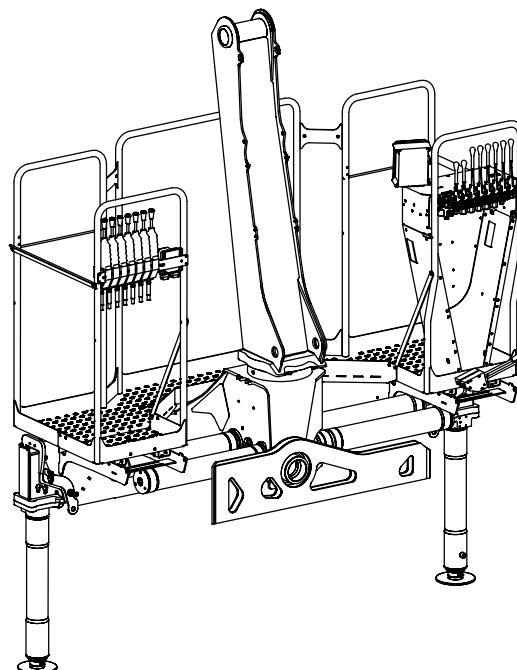
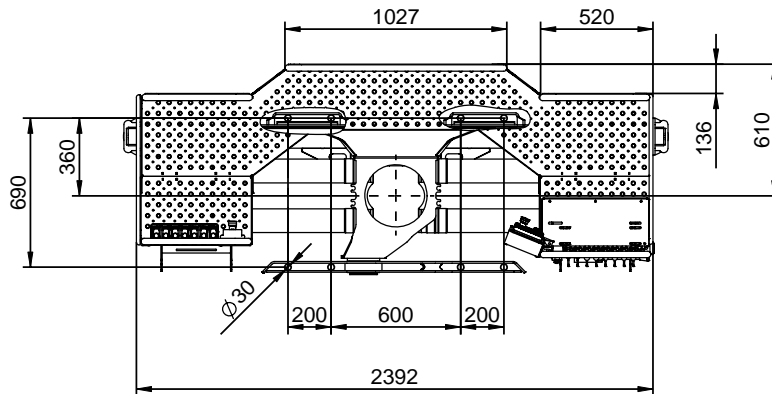
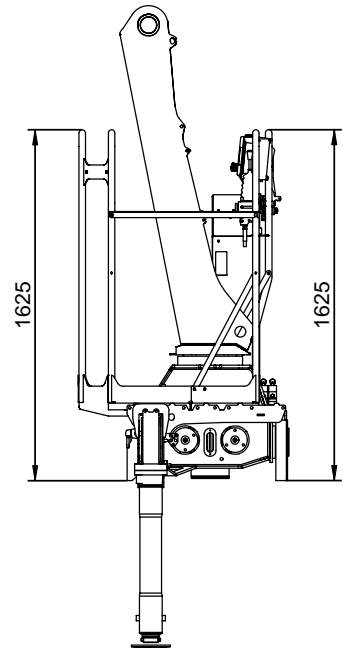
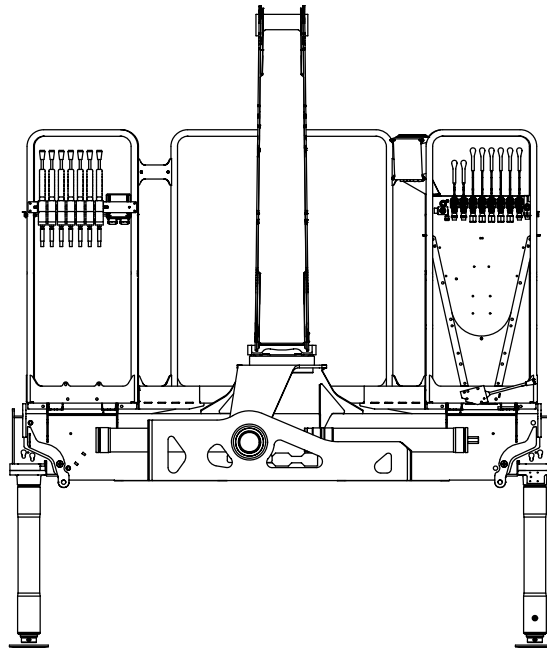
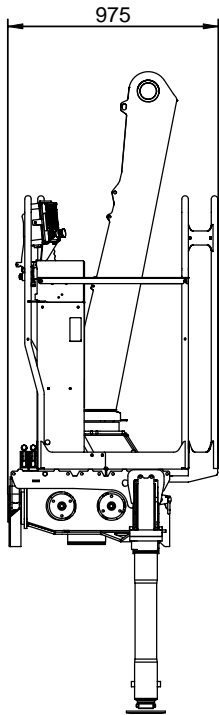
1244/1444/1643 ZC C=kl.12

1244/1444/1643 ZC C=12

1244/1444/1643 ZC C=12.00

1 (1)

11.04.2008





1244/1444/1643

3

1

8144

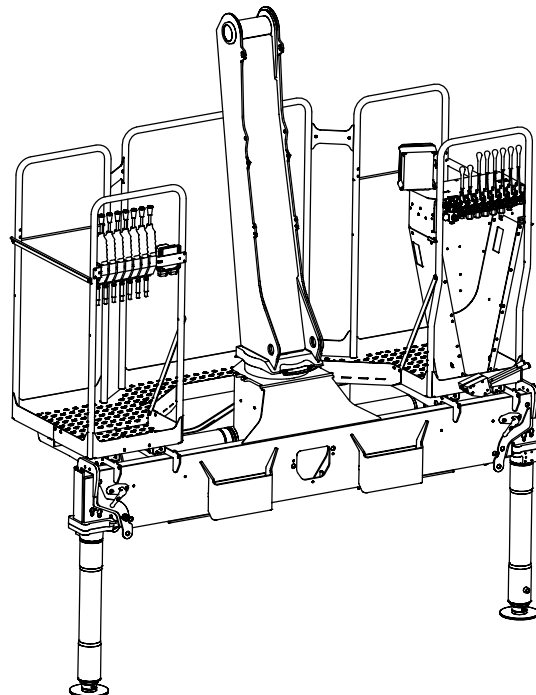
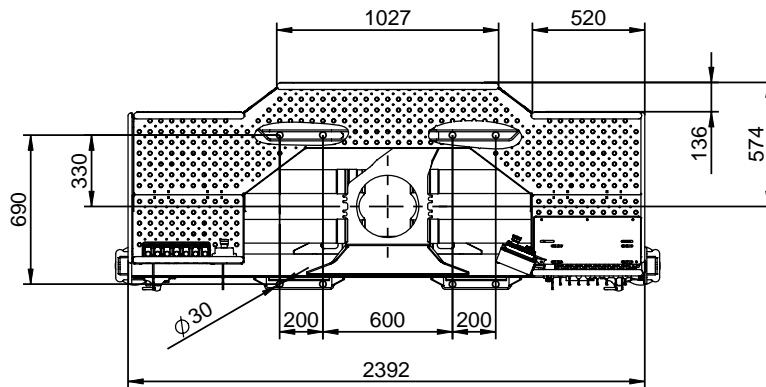
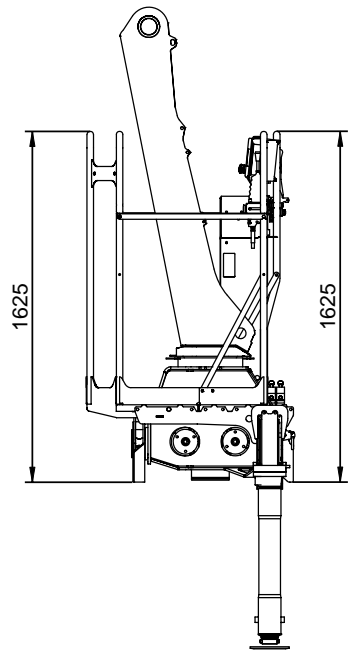
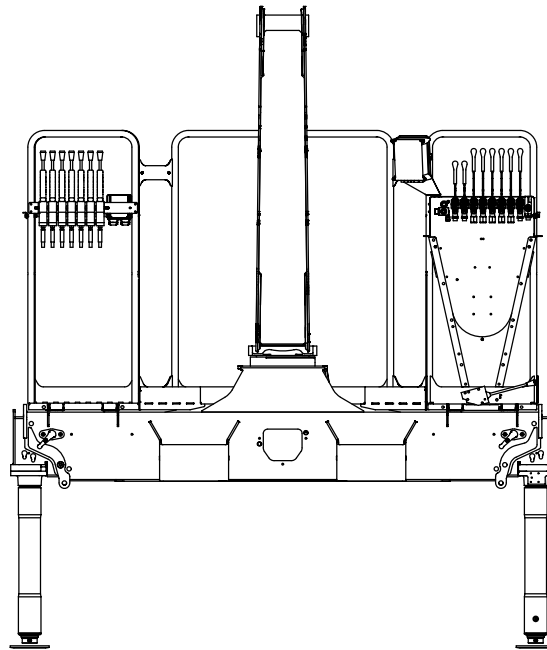
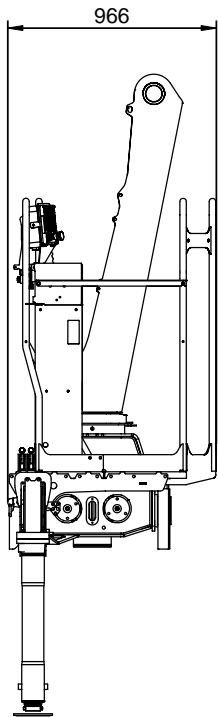
1244/1444/1643 ZC C=kl.6

1244/1444/1643 ZC C=6

1244/1444/1643 ZC C=6.00

1 (1)

11.04.2008





1244/1444/1643

3

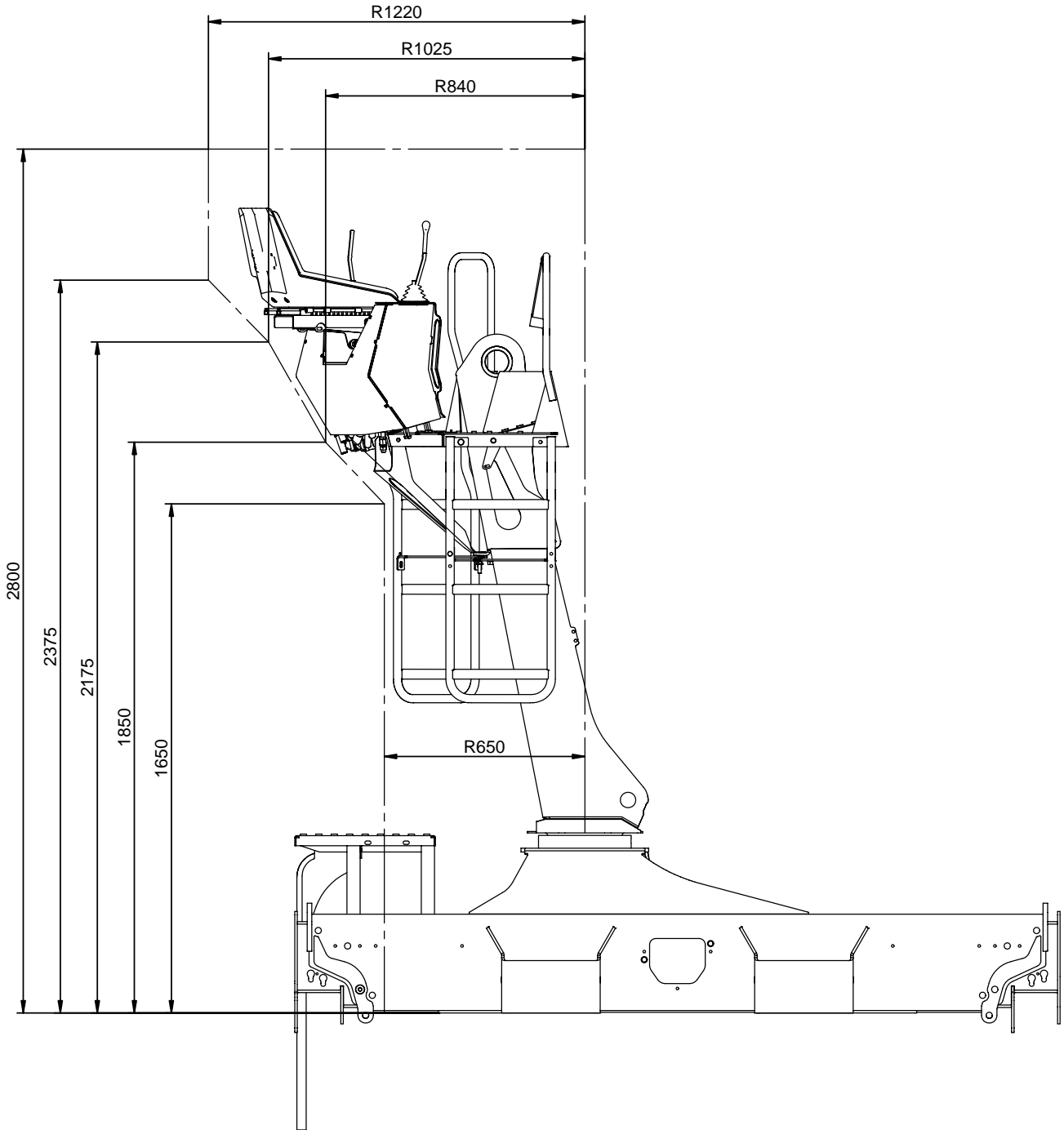
1


8145

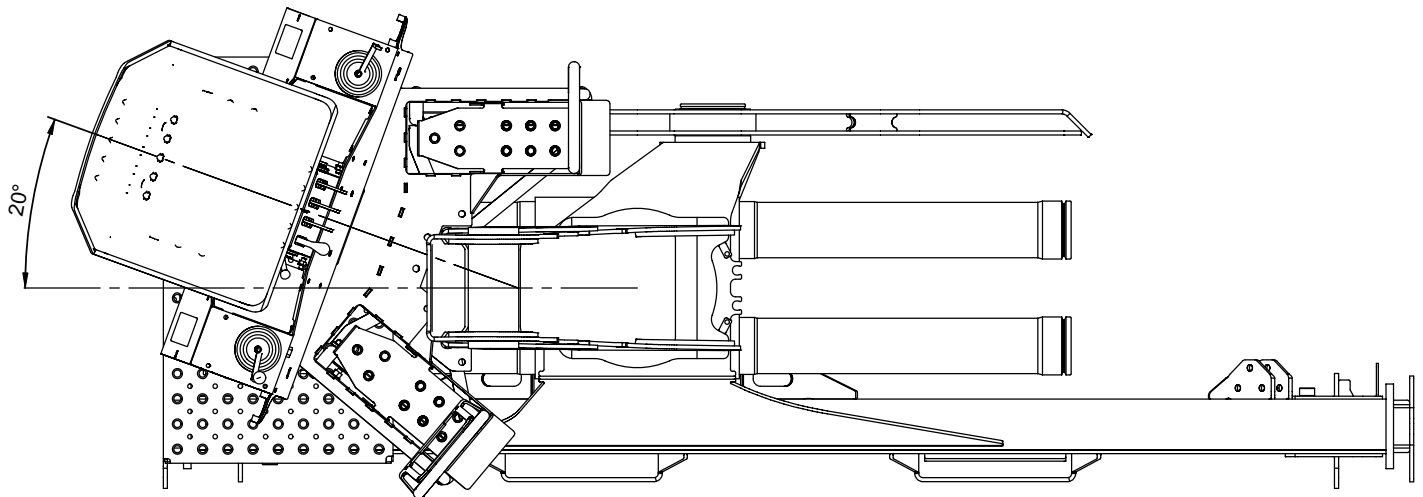
1244/1444/1643 Z

1 (1)

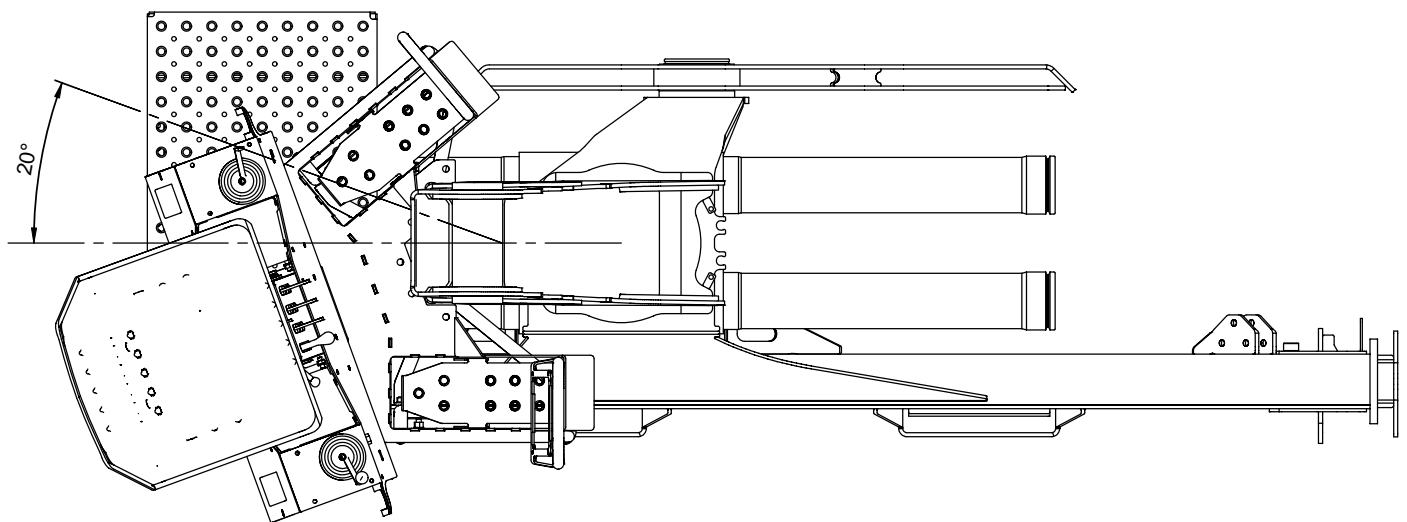
08.03.2007




| | | | |
|--|---|---|------------|
|  | 1244/1444/1643 | | |
| | 3 | 1 | 8146 |
| | Placering af topsæde (TS) Position of top seat (TS) Platzierung des Hochsitzes (TS) | | |
| | | | 1 (1) |
| | | | 06.03.2008 |

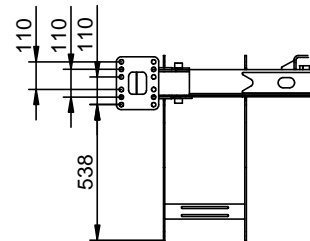
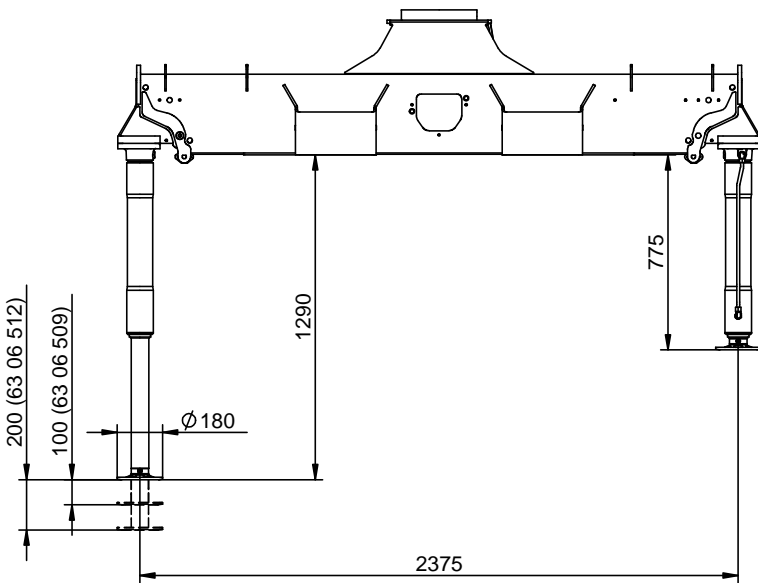
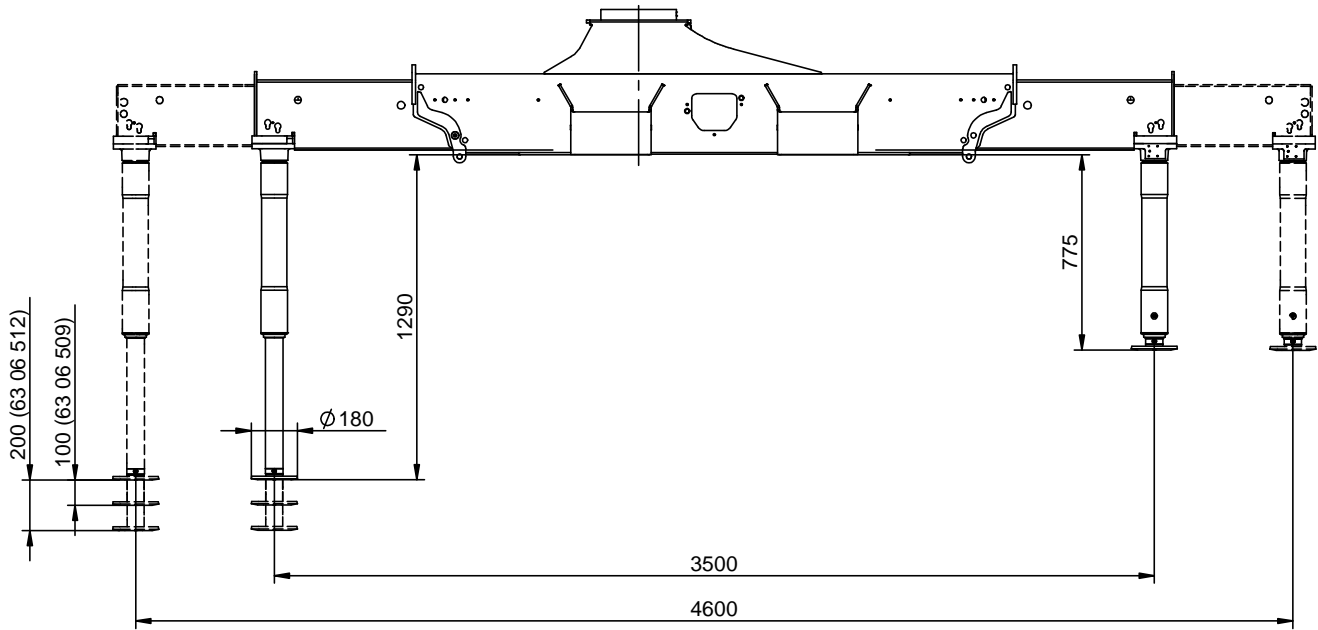


TS bag søjle til venstre.
 TS behind the column to the left.
 TS hinter Säule links.



TS bag søjle til højre.
 TS behind the column to the right.
 TS hinter Säule rechts.

| | | | | | |
|--|------------------|--|------------|---|------|
|  | 1244/1444/1643 | | 3 | 1 | 8150 |
| | A=2375/3500/4600 | | 1 (1) | | |
| | | | 17.08.2012 | | |





1244/1444/1643

3

1

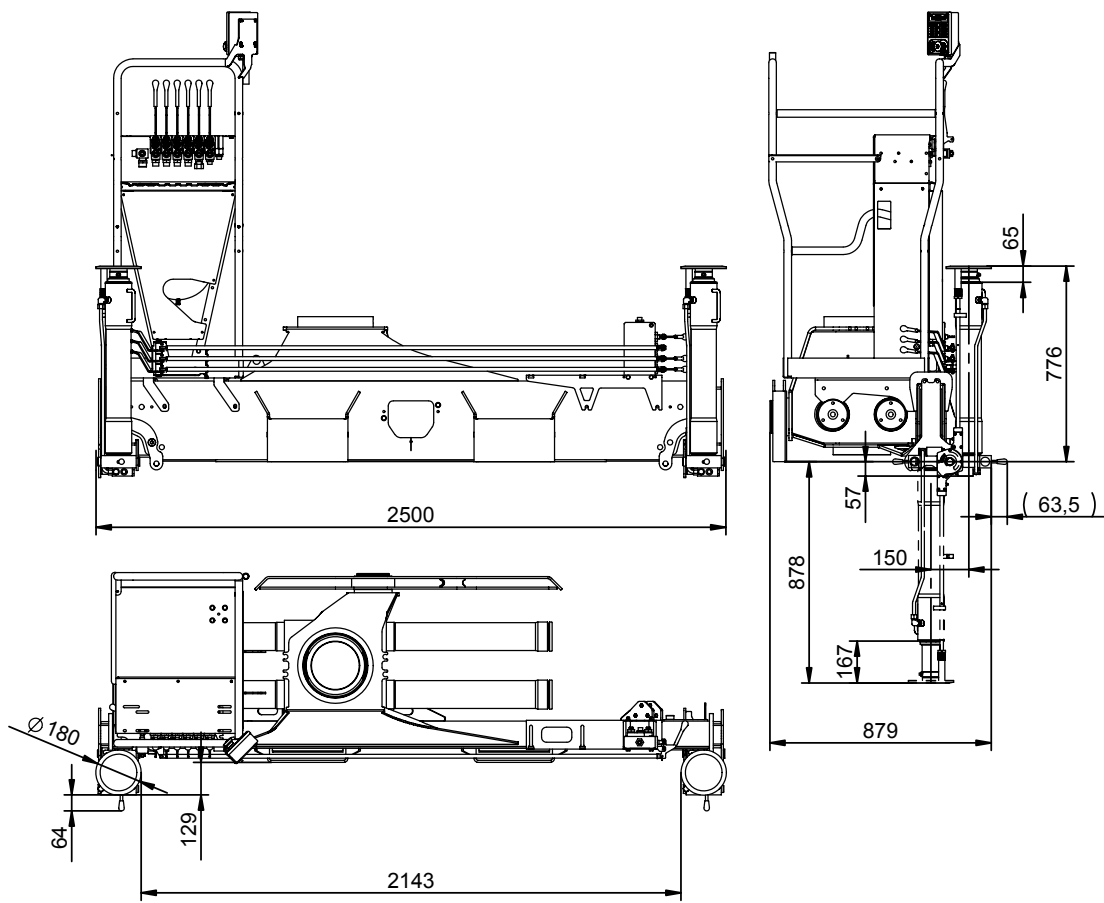
8152


1244/1444/1643

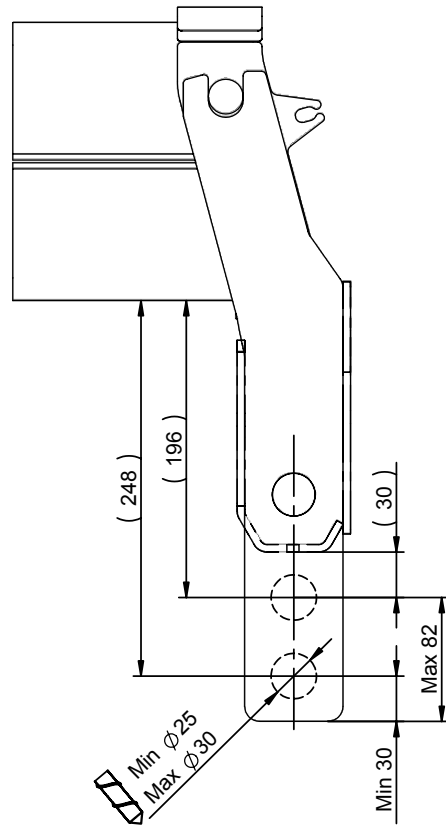
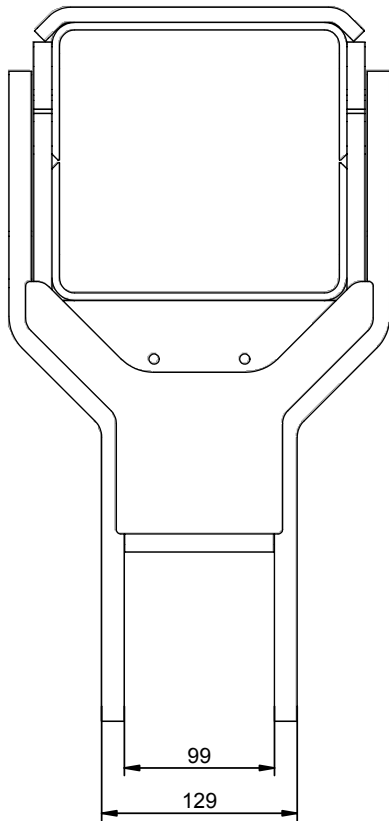
1 (1)

01.12.2006

"Z"



| | | | | | |
|--|---|--|---|------------|------|
|  | 1244/1444/1643 | | 3 | 1 | 8160 |
| | Forlænget krogophæng, Z2 Extended hook suspension, Z2 Verlängerte Hakenaufhängung, Z2 | | | 1 (1) | |
| | | | | 02.05.2006 | |





1244/1444/1643

3

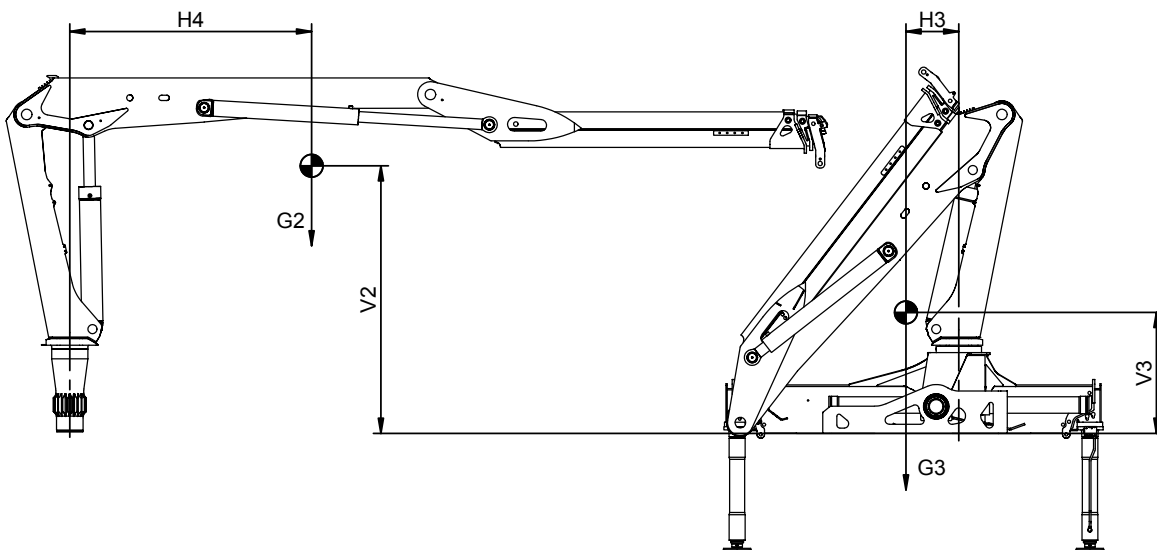
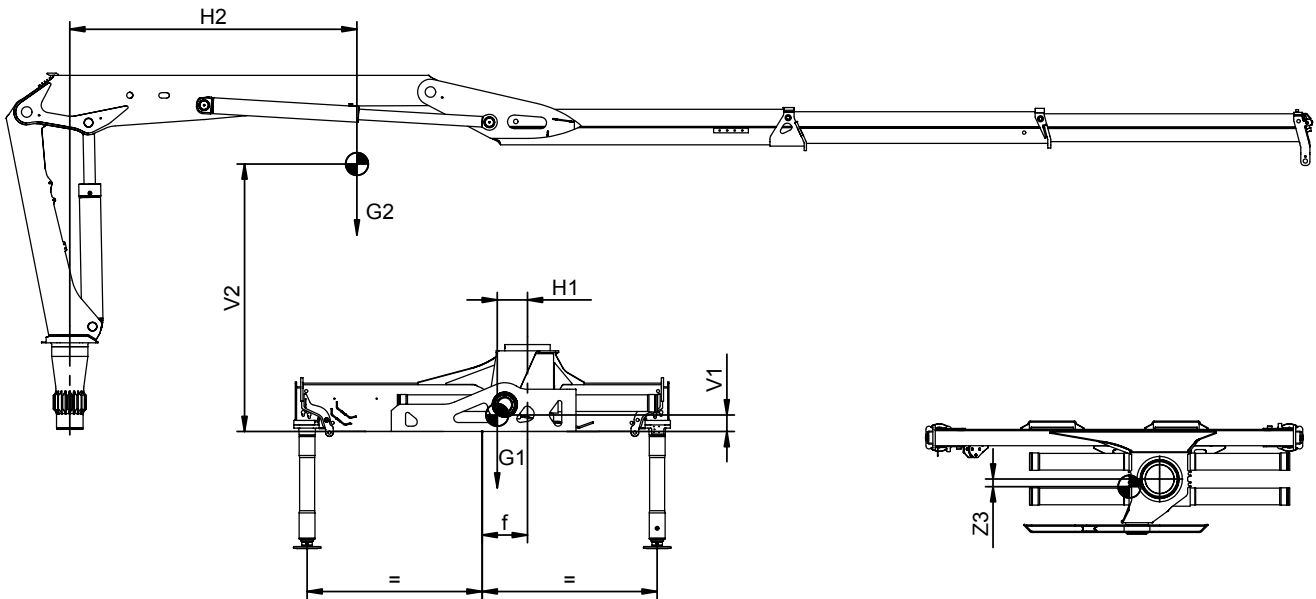
1

8175

Tyngdepunkter
Centres of gravity
Schwerpunkte

1 (1)

02.05.2006



| | [mm] | | | | | | | | | [kg] | | |
|---------------|------|------|-----|-----|------|-----|------|----|-----|------|------|------|
| | V1 | V2 | V3 | H1 | H2 | H3 | H4 | Z3 | f | G1 | G2 | G3 |
| 1244 Z1 | 110 | 1750 | 670 | 205 | 1510 | 390 | 1325 | 50 | 300 | 740 | 1000 | 1740 |
| 1244 Z2 | 110 | 1780 | 715 | 205 | 2090 | 400 | 1610 | 50 | 300 | 740 | 1110 | 1850 |
| 1244 ZC1 | 110 | 1750 | - | 10 | 1510 | - | 1325 | - | 0 | 740 | 1000 | 1740 |
| 1244 ZC2 | 110 | 1780 | - | 10 | 2090 | - | 1610 | - | 0 | 740 | 1110 | 1850 |
| 1444/1643 Z2 | 110 | 1785 | 925 | 205 | 2210 | 330 | 1780 | 65 | 300 | 740 | 1210 | 1950 |
| 1444/1643 ZC2 | 110 | 1785 | - | 10 | 2210 | - | 1780 | - | 0 | 740 | 1210 | 1950 |